



**Atherton**  
bikes

USER MANUAL  
AM.150



# WELCOME

Welcome to the Atherton Bikes family! To say this brand has been a lifetime in the making is no exaggeration, Dan built his first bike in 1992 when he was just 10 years old. But by 2019 our dream of pushing bike development as hard as we push our riding became irresistible.

We started Atherton Racing so that we could push boundaries; from building tracks to producing edits or events it's all been about doing it our way. Now we have put our hearts and soul into our own bike company and along with our amazing design, engineering and management team have designed a range of bikes with the same attention to detail we apply to our racing.

Having the right bike for you can transform your experience. Our aim is to see kids, all mountain explorers, bike park shredders, racers and e-bikers enjoying our bikes.

*Dan, Gee & Rach.*

## The AM.150

Hard hitting, supple and versatile, our Enduro bike is full of character and hits the perfect balance between composed ride and playful fun. With 150mm of rear travel this is one capable bike. The DW6 suspension platform offers outstanding small bump sensitivity yet is progressive enough to accommodate even the biggest of hits for a ride that will take you wherever you want to go.

Our decisions on the design of this bike were informed by Dan Atherton's experience on the World Enduro circuit, ensuring this bike can push as hard as you.



# CONTENTS

- 4 FRAME SPECIFICATION
- 5 FRAME GEOMETRY
- 7 FRAME HARDWARE
- 13 ASSEMBLY INSTRUCTIONS
- 14 FROM BOX TO BIKE
- 15 SUSPENSION SETUP
- 16 SERVICE & MAINTENANCE
- 17 PART COMPATIBILITY
- 18 TESTING AND STANDARDS
- 19 ADDITIONAL INFORMATION
- 20 WARRANTY



# FRAME SPECIFICATION



Frame Construction: Bonded Titanium / Carbon Fibre

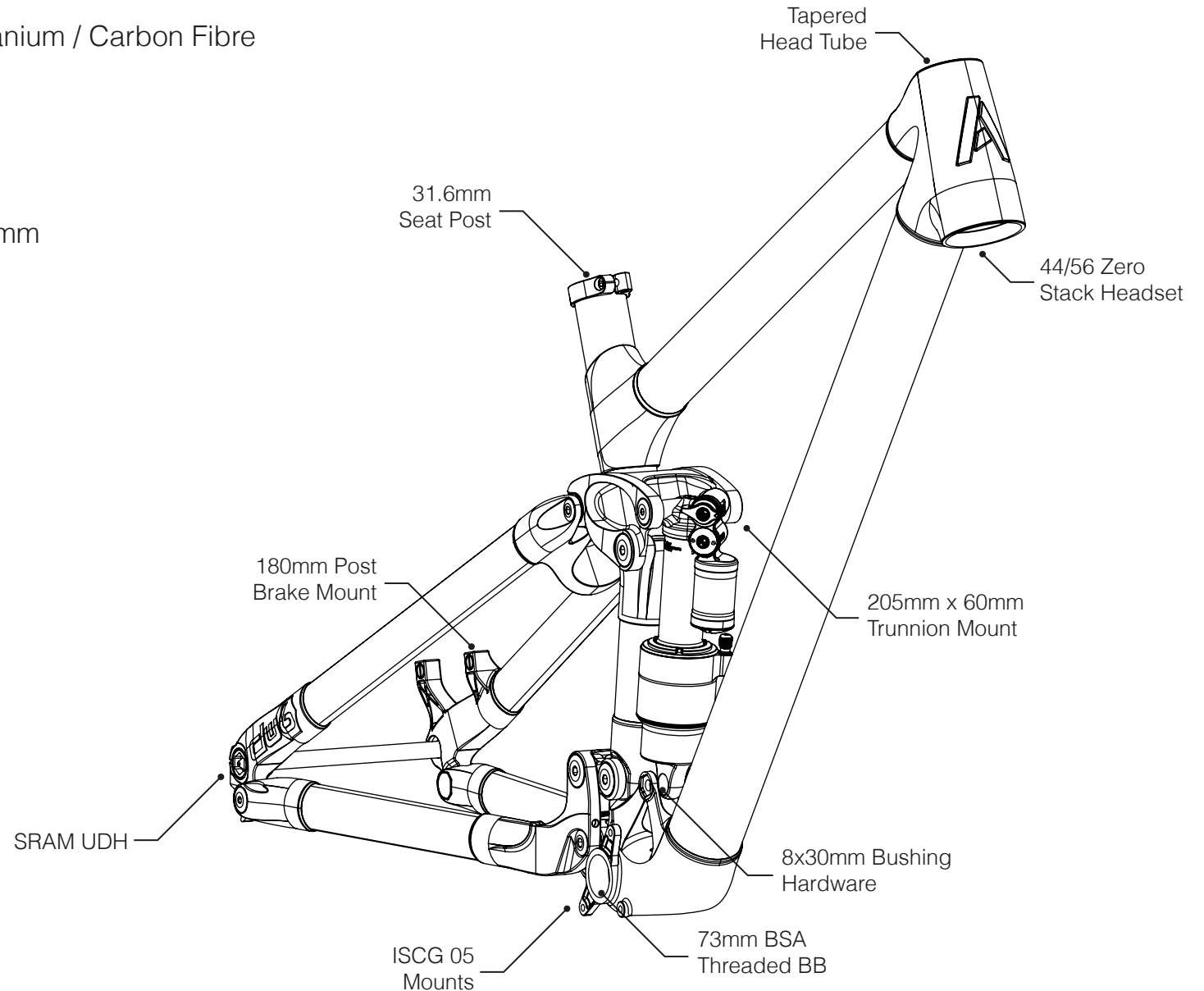
Rear Travel: 150mm

Wheel Size: 29"

Rear Axle Spacing: 148mm X 12mm

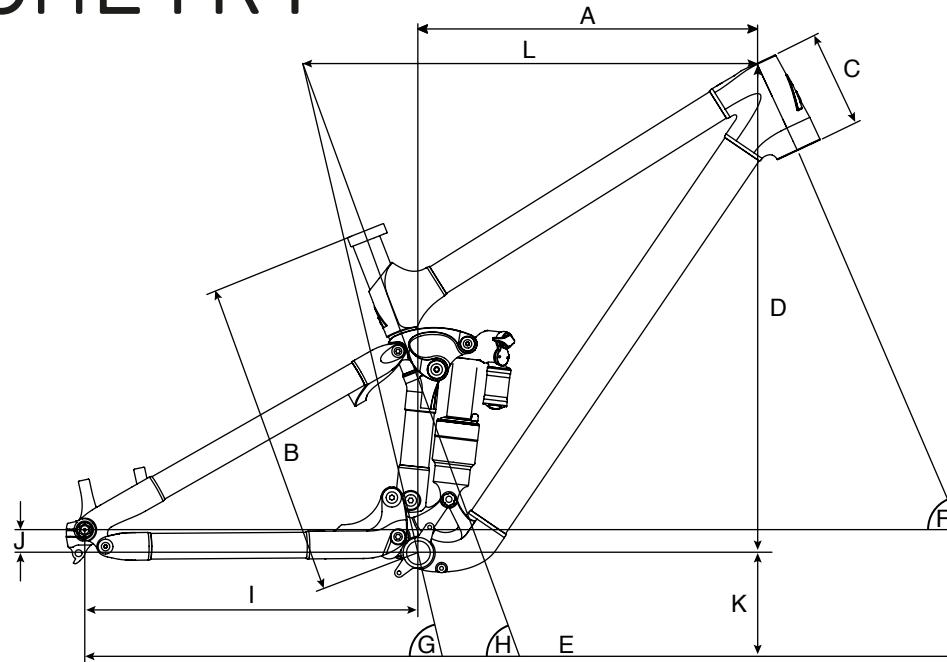
Cable Routing: Internal

Bottle Mounts: Optional





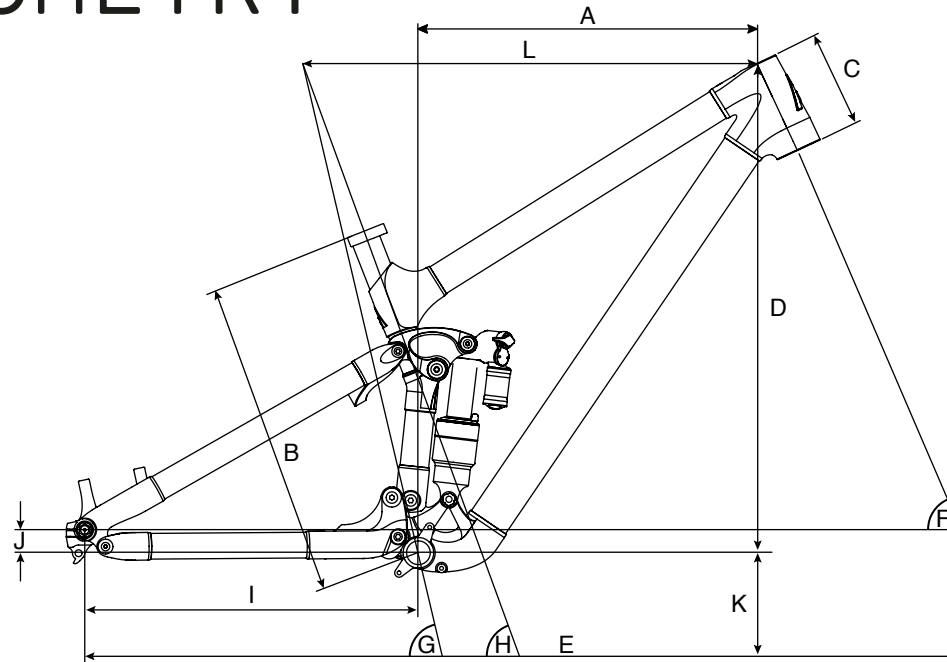
# FRAME GEOMETRY



Size	A Reach (mm)	B Seat tube Length (mm)	C Head tube (mm)	D Stack (mm)	E Wheelbase (mm)	F Head Angle (°)	G Effective Seat tube Angle (°)	H Actual Seat tube Angle (°)	I Chainstay (mm)	J BB Offset (mm)	K BB Height (mm)	L Effective Top tube Length(mm)
<b>1 (410 Low)</b>	410	395	100	619	1167	65	77	69.5	433	-30	343	553
<b>2 (420 Low)</b>	420	395	100	619	1177	65	77	69.5	433	-30	343	563
<b>3 (430 Low)</b>	430	395	100	619	1187	65	77	69.5	433	-30	343	573
<b>4 (440 Low)</b>	440	395	100	619	1197	65	77	69.5	433	-30	343	583
<b>5 (450 Low)</b>	450	395	110	628	1216	65	78	71	438	-30	343	583
<b>6 (450 Reg)</b>	450	415	125	641	1216	65	78	71	438	-30	343	586
<b>7 (460 Low)</b>	460	395	110	628	1226	65	78	71	438	-30	343	593
<b>8 (460 Reg)</b>	460	415	125	641	1226	65	78	71	438	-30	343	596
<b>9 (470 Low)</b>	470	395	110	628	1236	65	78	71	438	-30	343	603
<b>10 (470 Reg)</b>	470	415	125	641	1236	65	78	71	438	-30	343	606
<b>11 (480 Low)</b>	480	395	110	628	1246	65	78	71	438	-30	343	613



# FRAME GEOMETRY



Size	A Reach (mm)	B Seattube Length (mm)	C Headtube (mm)	D Stack (mm)	E Wheelbase (mm)	F Head Angle (°)	G Effective Seattube Angle (°)	H Actual Seattube Angle (°)	I Chainstay (mm)	J BB Offset (mm)	K BB Height (mm)	L Effective Toptube Length(mm)
<b>12 (480 Reg)</b>	480	415	125	641	1246	65	78	71	438	-30	343	616
<b>13 (490 Reg)</b>	490	415	125	641	1268	65	78	71	443	-30	343	626
<b>14 (490 Tall)</b>	490	440	125	641	1268	65	78	71	443	-30	343	626
<b>15 (500 Reg)</b>	500	415	125	641	1278	65	78	71	443	-30	343	636
<b>16 (500 Tall)</b>	500	440	125	641	1278	65	79	72.4	443	-30	343	625
<b>17 (510 Reg)</b>	510	415	125	641	1288	65	78	71	443	-30	343	646
<b>18 (510 X-Tall)</b>	510	460	125	641	1288	65	79	72.4	443	-30	343	635
<b>19 (520 Tall)</b>	520	440	125	641	1298	65	78	71	443	-30	343	656
<b>20 (520 X-Tall)</b>	520	460	125	641	1298	65	79	72.4	443	-30	343	645
<b>21 (530 Tall)</b>	530	440	125	641	1308	65	79	72.4	443	-30	343	655
<b>22 (530 XX-Tall)</b>	530	475	125	641	1308	65	79	72.4	443	-30	343	655





# FRAME HARDWARE



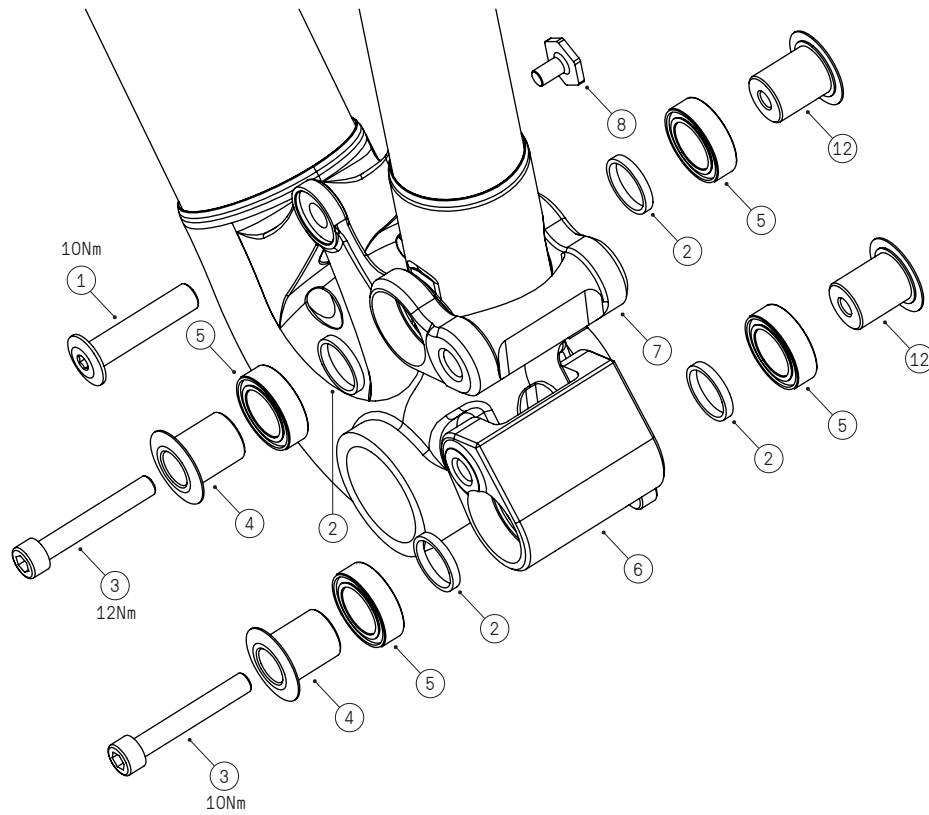
Ref.	Part No.	Description	Qty.
1	002.2008	SHOCK LOWER MOUNT PIVOT	1
2	002.1004	SPACER (15 x 18 x 2.5)	8
3	011.1001	SOCKET HEAD CAP SCREW M6 X 40	2
4	002.2011	SEAT TUBE PIVOT MALE	3
5	011.1050	BEARING 3802	8
6	101.5003	LOWER LINK	1
7	101.5002	UPPER LINK	1
8	002.2010	PIVOT HEX BOLT	3
9	002.2002	SEAT STAY PIVOT	2
10	011.1051	BEARING 11197-2RS	6
11	002.1002	SPACER (11 x 14 x 2.5)	6
12	002.2011	SEAT TUBE PIVOT FEMALE	3
13	002.2009	SHOCK UPPER MOUNT	4
14	101.5001	ROCKER	1
15	101.0005	SEAT STAY ASSEMBLY	1
16	011.1002	SOCKET HEAD CAP SCREW M6 X 50	1
17	002.2007	YOKE PIVOT UPPER	2
18	002.2001	DROPOUT PIVOT	2
19	011.1052	BEARING 698 LLU MAX-E	4
20	002.2003	REAR END SCREW CAP	2
21	011.1004	M5 X 10 T25 PAN HEAD TORX	2

Ref.	Part No.	Description	Qty.
22	011.1007	M6 BARREL NUT	2
23	00.4318.050.001	SRAM AM AX MAXLE STLTH AXLE (180)	1
24		UDH FRAME WASHER	1
25	00.7918.093.000	UDH BOLT	1
26		UDH REAR DERAILLEUR HANGER	1
27	011.1005	SOCKET HEAD CAP SCREW M5 X 14	1
28	011.1006	M5 BARREL NUT	1
29	001.1007	SEAT POST CLAMP	1

## Additional Information:

- Loctite 241 thread lock to be applied to threaded sections of all bolts (excluding seat clamp, BB shell and wheel axle).
- Multi-purpose grease to be applied to all pivot shafts, the rear axle shaft and the bearing housings.
- Torque values are location specific (see exploded diagrams). If using the bottle cage mounting threads, bolts should be torqued to 3Nm.

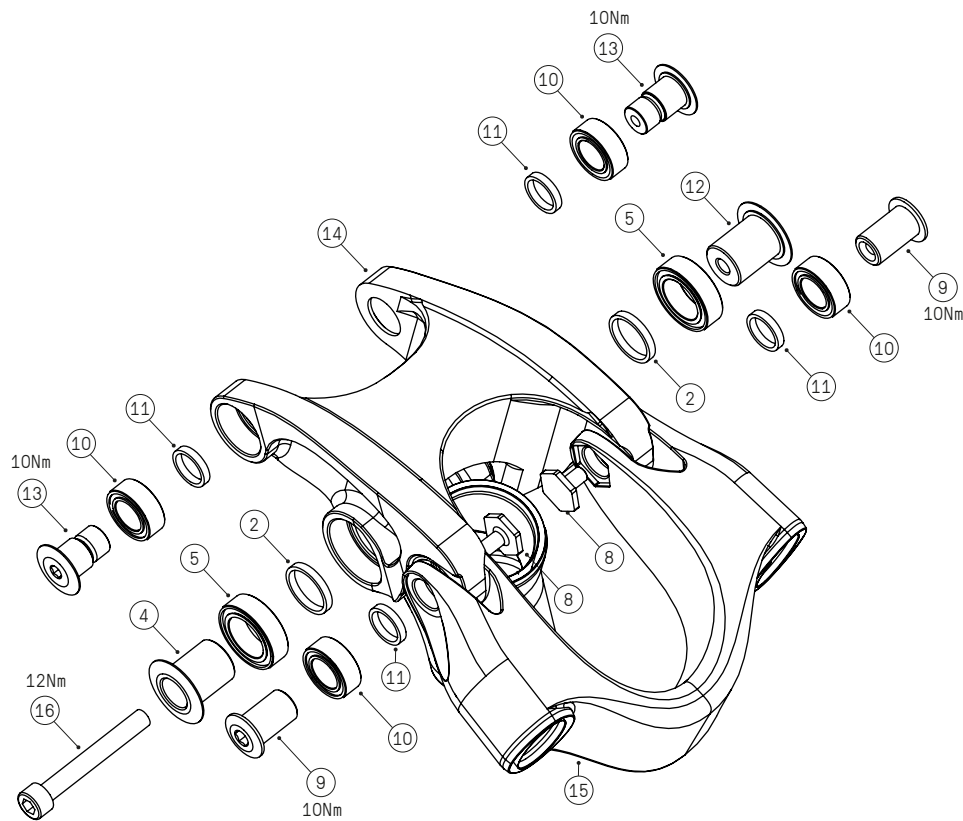
# LOWER LINKAGE ASSEMBLY



Ref.	Part No.	Description	Qty.
1	002.2008	SHOCK LOWER MOUNT PIVOT	1
2	002.1004	SPACER (15 x 18 x 2.5)	4
3	011.1001	SOCKET HEAD CAP SCREW M6 X 40	2
4	002.2011	SEAT TUBE PIVOT MALE	2
5	011.1050	BEARING 3802	4
6	101.5003	LOWER LINK	1
7	101.5002	UPPER LINK	1
8	002.2010	PIVOT HEX BOLT	1
12	002.2011	SEAT TUBE PIVOT FEMALE	2



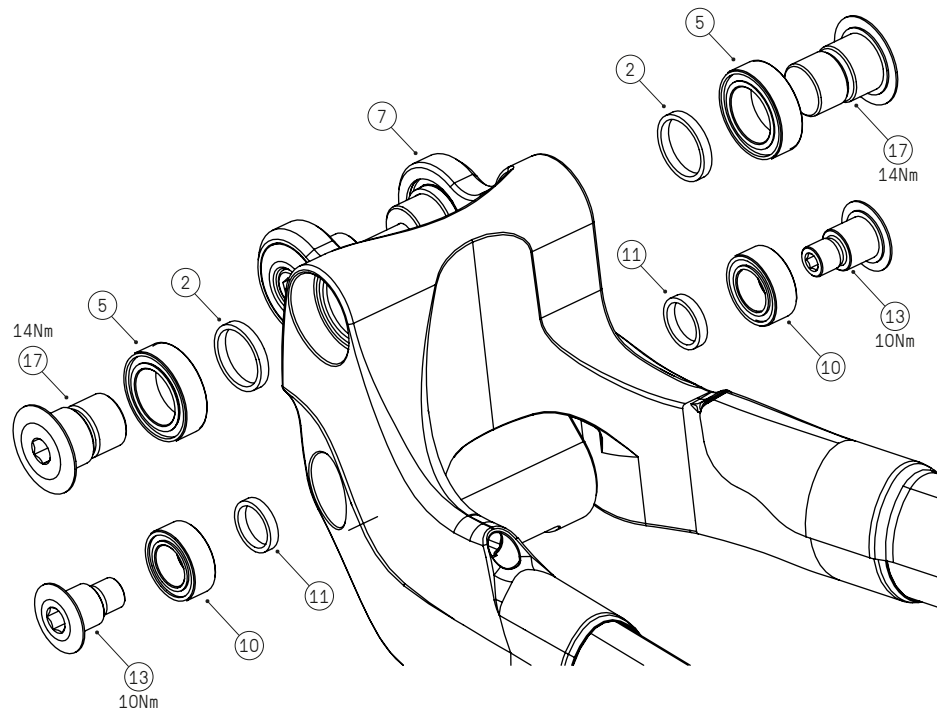
# ROCKER LINKAGE ASSEMBLY



Ref.	Part No.	Description	Qty.
2	002.1004	SPACER (15 x 18 x 2.5)	2
4	002.2011	SEAT TUBE PIVOT MALE	1
5	011.1050	BEARING 3802	2
8	002.2010	PIVOT HEX BOLT	2
9	002.2002	SEAT STAY PIVOT	2
10	011.1051	BEARING 11197-2RS	4
11	002.1002	SPACER (11 x 14 x 2.5)	4
12	002.2011	SEAT TUBE PIVOT FEMALE	1
13	002.2009	SHOCK UPPER MOUNT	2
14	101.5001	ROCKER	1
15	101.0005	SEAT STAY ASSEMBLY	1
16	011.1002	SOCKET HEAD CAP SCREW M6 X 60	1



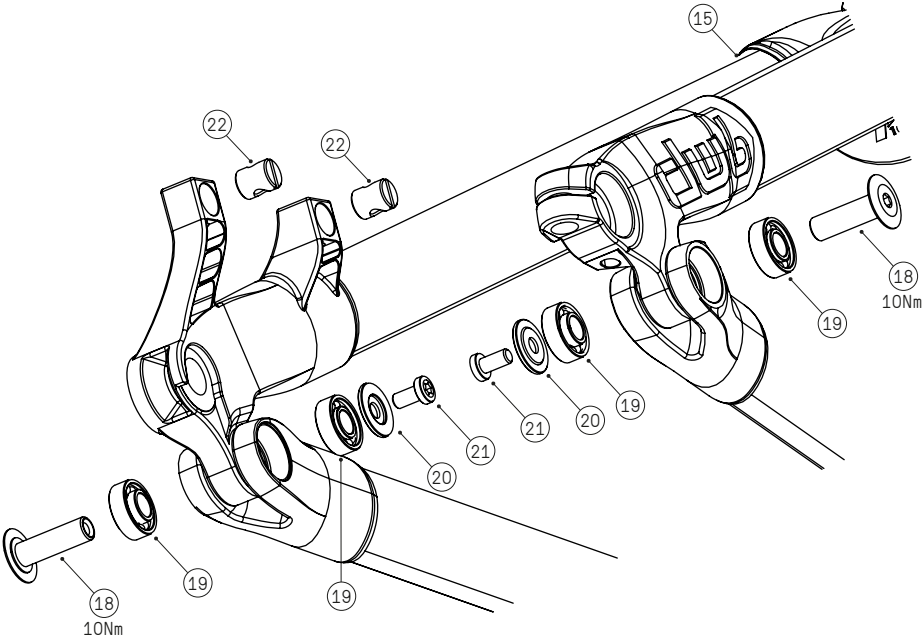
# SWINGARM LINKAGE ASSEMBLY



Ref.	Part No.	Description	Qty.
2	002.1004	SPACER (15 x 18 x 2.5)	2
5	011.1050	BEARING 3802	2
7	101.5002	UPPER LINK	1
10	011.1051	BEARING 11197-2RS	2
11	002.1002	SPACER (11 x 14 x 2.5)	2
13	002.2009	SHOCK MOUNT UPPER	2
17	002.2007	YOKE PIVOT UPPER	2



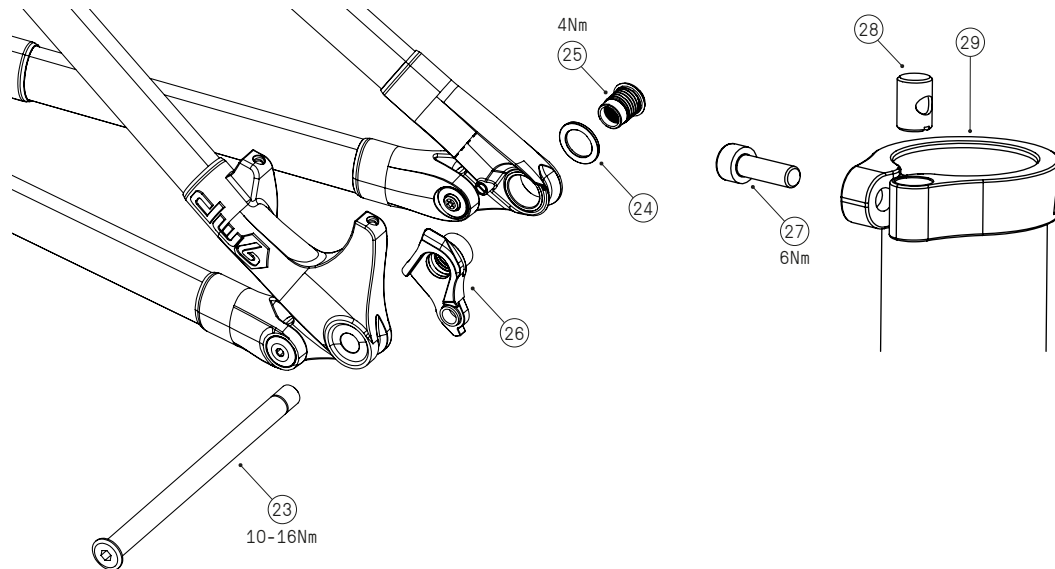
# REAR ASSEMBLY



Ref.	Part No.	Description	Qty.
15	101.0005	SEAT STAY ASSEMBLY	1
18	002.2001	DROPOUT PIVOT	2
19	011.1052	BEARING 698 LLU MAX-E	4
20	002.2003	REAR END SCREW CAP	2
21	011.1004	M5 X 10 T25 PAN HEAD TORX	2
22	011.1007	M6 BARREL NUT	2



# REAR AXLE/HANGER & SEAT CLAMP ASSEMBLY



Ref.	Part No.	Description	Qty.
23	00.4318.050.001	SRAM AM AX MAXLE STLTH AXLE	1
24		UDH FRAME WASHER	1
25	00.7918.093.000	UDH BOLT	1
26		UDH REAR DERAILLEUR HANGER	1
27	011.1005	SOCKET HEAD CAP SCREW M5 X 14	1
28	011.1006	M5 BARREL NUT	1
29	001.1007	SEAT POST CLAMP	1



# ASSEMBLY INSTRUCTIONS



When you receive your new Atherton Bike there are just a few simple steps to getting your bike out of its box and out on to the trails.

To make sure all your components are working perfectly, every Atherton Bike is assembled and checked by our team of expert mechanics before being sent to you.

To make sure that your new ride is secure in transit, we then remove some components, the wheels, handlebar, and forks and pack them securely in the box.

Assembling your bike couldn't be easier with our step-by-step assembly instruction guide. If you need any extra assistance, please don't hesitate to get in touch with one of the team, we'd be more than happy to help.

Grab your tools, make a brew, and get building!



# FROM BOX TO BIKE

## Step 1: Fork and handlebars



Install the forks into the headset, attaching the stem to the steerer tube. Preload the top cap and tighten the clamp bolts (ensuring that the stem is aligned correctly).

## Step 4: Wheels



Inflate the tyres (as per manufacturer recommendations) and install the wheels onto the bike. Ensure the axles are torqued as per the provided values.

## Step 2: Front Caliper



Bolt the front brake caliper to the fork's lower leg. This must be centered with the brake rotor once the wheel is installed.

## Step 5: Pedals



Fit the pedals of your choosing. Please note: the non-driveside pedal has a left-hand thread (removes clockwise, installs counter-clockwise).

## Step 3: Rear Derailleur



Fasten the dérailleur to the hanger, ensuring that they are aligned correctly (with b-tension screw in contact with the dérailleur's plastic washer rather than the hanger itself).

## Step 6: Saddle Height



Set the saddle height, feeding the dropper post cable through the headtube port. Ensure that the minimum insertion mark is no longer visible whilst maintaining 25mm (min) clearance to the tyre at bottom out.





# SUSPENSION SETUP



Fork and rear shock suspension set up is essential to getting the most out of your Atherton Bikes DW6 suspension system.

Learn how to set sag, air spring pressure, compression adjustments, rebound adjust, additional tuning options and more in the tuning guides below.

The recommended settings in the tuning guides attached are designed to be a starting point so that you can get out on your first ride as soon as possible! If you would like further assistance tuning your suspension to get the most out of your bike, please drop us an email, we'd love to help.

## **Fox Rear Shock Setup Guide:**

<https://www.ridefox.com/dl/bike/my22/605-00-253-FLOAT-X2-Tuning-Guide-revA.pdf>

## **Fox Fork Setup Guide:**

[https://www.ridefox.com/dl/bike/my22/605-00-246\\_36-Tuning-Guide-revA.pdf](https://www.ridefox.com/dl/bike/my22/605-00-246_36-Tuning-Guide-revA.pdf)

## **Rockshox Suspension Setup Guide:**

<https://www.sram.com/globalassets/document-hierarchy/tuning-manuals/gen.000000006209-rev-a-suspension-setup-and-tuning-guide-english.pdf>





# SERVICE & MAINTENANCE



Item.	Task	After Every Ride	After 500miles / 1Month	After 200miles / 6months	After 4000 miles / 1 year
Chain	Clean and lubricate	X			
Brakes	Check Function	X			
Tyres	Inspect sidewalls and thread, check air pressure	X			
General	Fully clean bike	X			
Frame Pivots	Check torque settings	X			
Brakes	Check brake pads, replace as necessary		X		
Headset	Check adjustment		X		
Spokes	Check tension, inspect		X		
Shock & Fork	Inspect and check air pressure		X		
Gear Cables	Inspect and lubricate			X	
Seat post	Remove, clean and re-grease			X	
Frame Pivots	Remove pivot bolts and check bearings for wear			X	
Headset	Disassemble stem, headset and fork, check bearings for wear			X	
Hubs	Remove wheels and check bearings for wear			X	
Bottom Bracket	Remove cranks and check bearings for wear			X	
Chain	Check for stretch, inspect for damage			X	
General	Full service				X
Shock & Fork	Full service	As per manufacturers recommendations			



# PART COMPATIBILITY

Our bikes are design to work alongside the vast majority of components, however some parts occupy a larger envelop than usual (for example) and won't fit.

## PARTS WE RECOMMEND

We work closely with a range of brands to design and spec' our builds. We love these products and guarantee that they will work flawlessly on your Atherton bike.

## COMPATIBILITY LIMITATIONS

- Max crank length = 170mm
- Max tyre width = 2.4"
- Max chainring = 36T
- Max brake rotor (rear) = 203mm
- Max bottom bracket outer diameter = 46mm. This allows clearance for standard SRAM, Shimano and FSA models (among others). Some larger models are compatible, however, this is dependant on the specific form of the part.
- Compatible chain guides include: MRP 1x and Amg, E-thirteen TRS Range, One-Up & Hope (full range) and similar models from other brands.

## STILL UNSURE?

If you would like more information on part compatibility, we are only an email away ([sales@athertonbikes.com](mailto:sales@athertonbikes.com)), or try our live chat - we'll be more than happy to answer any questions that you might have.



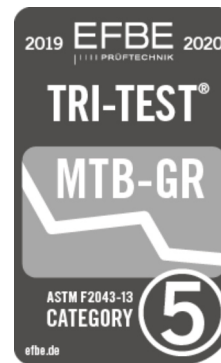
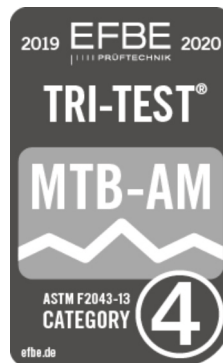
# TESTING AND STANDARDS

Before we launched our bikes to the public we subjected our frames to the most rigorous testing imaginable at EFBE in Germany, the world's leading laboratory for mechanical tests on bikes.

EFBE's TRI-TEST® goes way beyond established international standards and reflects the specific challenges faced by modern bikes. Our bikes were tested to Category 5 which means they are suitable for downhill rides at extreme grades with large jumps and drops, at speeds exceeding 40 km/h

The TRI-TEST® includes fatigue tests, maximum load tests and overload tests to provide a simulation of the stresses experienced throughout a bike's entire life.

But testing a newly printed, box-fresh frame is not for us; we sent a bike that Dan Atherton had thrashed at Dyfi Bike Park for six harsh months. It passed with flying colours.



# ADDITIONAL INFORMATION



## COMPONENTS & MAINTENANCE

- The bike's brake lever orientation will correspond to the standard within the country of purchase (unless stated otherwise).
- This bike must be used in a safe manner checking components regularly (including but not limited to tyres, wheels and steering components).
- This bike is not suitable for use alongside; panniers, trailers or child seats.
- All specified torque values must be adhered to, both for this frame (torques included in this document) and specific to the fitted parts.
- Gears are adjusted prior to shipping however, further adjustments may need to be made as the cable stretches and parts settle. Further adjustments can be made as required using the associated barrel adjuster (located on the gear shifter).
- All wearing components must be checked regularly and genuine replacement parts should be fitted when required.
- The maximum pressure for the wheel & tyre combination must not be exceeded. If not stated on both the rim and tyre, please consult the corresponding manufacturer/s.

As with all mechanical components, the bicycle is subject to wear and high stresses. Different materials and components might react to wear and stress fatigue in different ways. If the design life of a component has been exceeded, it may suddenly fail, possibly causing injuries to the rider. Any form of crack, scratches, or change of colouring in highly stressed areas indicate that the life of the component has been reached and it should be replaced.

For composite components, impact damage may not be visible to the user. Consequences of this damage can be severe and in the event of an impact the manufacturer must be contacted to advise further actions.

## SAFETY & LEGAL

- A helmet must be worn throughout use and additional protective equipment is highly recommended.
- During both use and maintenance, there is risk of injury (for example, through entrapment) and the user must take appropriate safety precautions.
- If the bike is being used on public roads all national legal requirements must be adhered to.
- Riders should be aware of the effect that changing conditions and terrain have on handling and braking distances.

## RIDER WEIGHT

- Permissible weight of the rider (and luggage) is limited to 120kg (as per EFBE TRI-TEST Standards).



# WARRANTY



## PARTIES

"we/us/our" - Atherton Bikes Limited

"you/your" - The Customer

## THE WARRANTY

The warranty applies to all bicycle frames, including made to measure or bespoke frames, purchased from us. We guarantee that all frames will be free from defects in the materials or workmanship for the lifetime of the product. Where the frame develops a fault which is due to a defect in the materials used or the workmanship we will repair the frame free of charge. If we cannot repair it we will inform you of this and offer a like for like replacement.

The warranty does not cover damage to paint or anodizing damage.

The warranty also does not cover any items purchased other than bicycle frames and does not include the consumable components of the bike. Consumable components are those components which have are typically expected to need replacing within a 12 month period of being fitted to the bike. Consumable components include:

- Tyres;
- Chain
- Cassette;
- Grips;
- Chainring;
- Brakepads;
- Cables

This list is not exhaustive and if you are not sure whether a component is covered by the warranty please contact us to discuss it further.

All other original parts or components which are not covered by this warranty may be covered by a warranty from the original manufacturer.

# WARRANTY CONT.



We are only able to offer the warranty where:

1. the frame has been maintained according to the care and maintenance instructions which were provided to you at the point of sale; and
2. the bicycle has been used only according to the description in the product manual.

## **REPAIRS WHICH ARE NOT COVERED BY THE WARRANTY:**

The following damage is not covered by the warranty:

- Normal wear and tear;
- Crash damage, including impact to carbon fibre elements or other overloading;
- Improper assembly;
- Corrosion;
- Modifications to the frame;
- Damage as a result of not adhering to the minimum inserts of depth of seat post;
- Damage caused by excessive load outside of what is expected in normal riding;
- Impact damage (for example caused by collisions);
- Damage caused as a result of transportation of the bike, including transport where the bike was attached to a vehicle or a lift.
- Damage which we (in our sole discretion) assess to be the result of a lack of care and maintenance, or maintenance which is not in line with the maintenance instructions which have been provided to you.
- Damage caused by the use of non-compatible components with the bike frame. A full list of components which are compatible with the bike frame are set out in the product manual.

# WARRANTY CONT.



## **HOW TO MAKE A CLAIM:**

To make a claim you should contact us by phone or email. You will need to provide your name, details of your frame, a copy of your original purchase order and the date of the original purchase.

We will ask for a description of the fault and photographs or a video showing the fault. We will carry out an assessment based on the images provided and make a decision on whether the fault is covered by the warranty and inform you of our decision. Where necessary we will request further information from you. In some circumstances we may need to carry out a physical inspection of the frame before we can make a decision and if this is the case we will require that the bike is returned to our workshop. You can either bring the bike back to our workshop or alternatively we can arrange to collect it from you.

If the damage or fault is covered by the warranty we will arrange a date for you to bring the bike to our workshop, or for us to collect the bike, so that we can repair it (provided that you have not already brought the bike to our workshop so that we may assess the damage).

All decisions about whether the damage or fault is covered by the warranty will be made at our sole discretion.

## **TIMEFRAME:**

We aim to complete the repair within 90 days of you returning the bike to us. If there is a delay in carrying out the repair we will write to you to inform you of this.

If we need to replace your bicycle frame we will aim to do this within 90 days of informing you that we will replace the bike. Where we need to replace the frame it will be a like for like replacement, or if the same frame is not available, we will replace it with a frame of an equivalent standard.

We will return your repaired bike, or replacement bicycle frame, to you free of charge. Alternatively you can collect the bike from our premises.

# WARRANTY CONT.



## **IF YOU ARE NOT THE ORIGINAL OWNER**

This warranty is personal to the person who purchased the bike frame from us and we are only able to offer the warranty to such person.

## **OTHER CLAIMS**

The repair or replacement offered through this warranty is your sole remedy for a defective bicycle frame.

We will not be liable for any direct, indirect or consequential losses arising from the purchase, use or ownership of the bicycle by you, including for personal injury, property damage or economic loss (except where it would be unlawful to do so, including where death or personal injury is as a result of our negligence).





# CONTACT

Email: [sales@athertonbikes.com](mailto:sales@athertonbikes.com)

Web: [www.athertonbikes.com](http://www.athertonbikes.com)

**Atherton**  
bikes